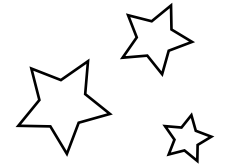


Say the tricky word, then write it on the three lines below.

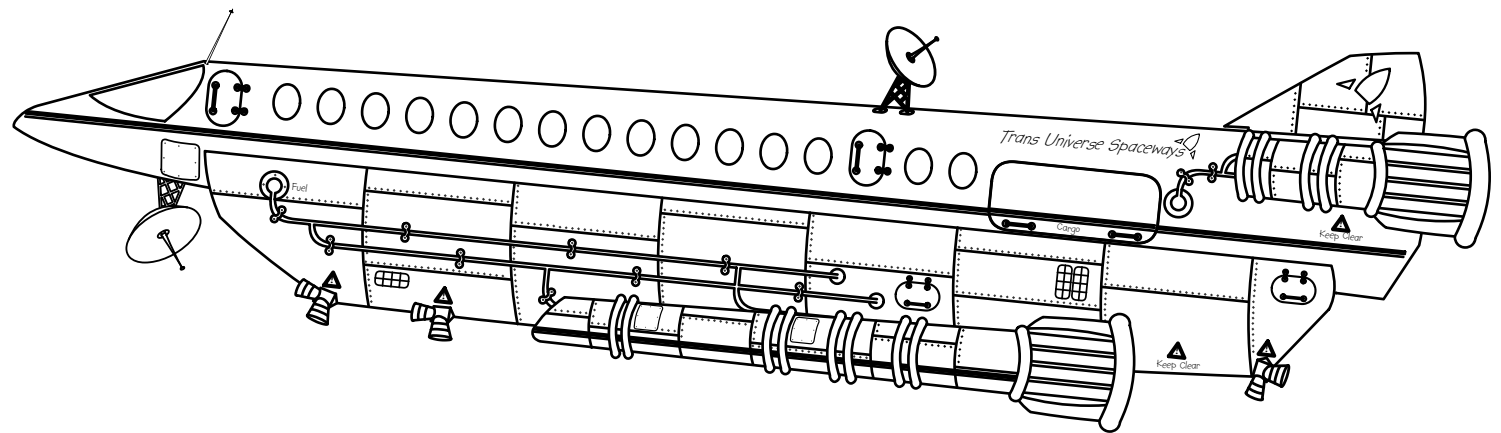


who

other

because

Three sets of horizontal dashed lines for handwriting practice, corresponding to the words 'who', 'other', and 'because' above.



Roy
Tale of a Singing Zebra

www.roythezebra.com