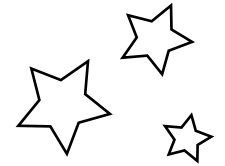


Say the tricky word, then write it on the three lines below.

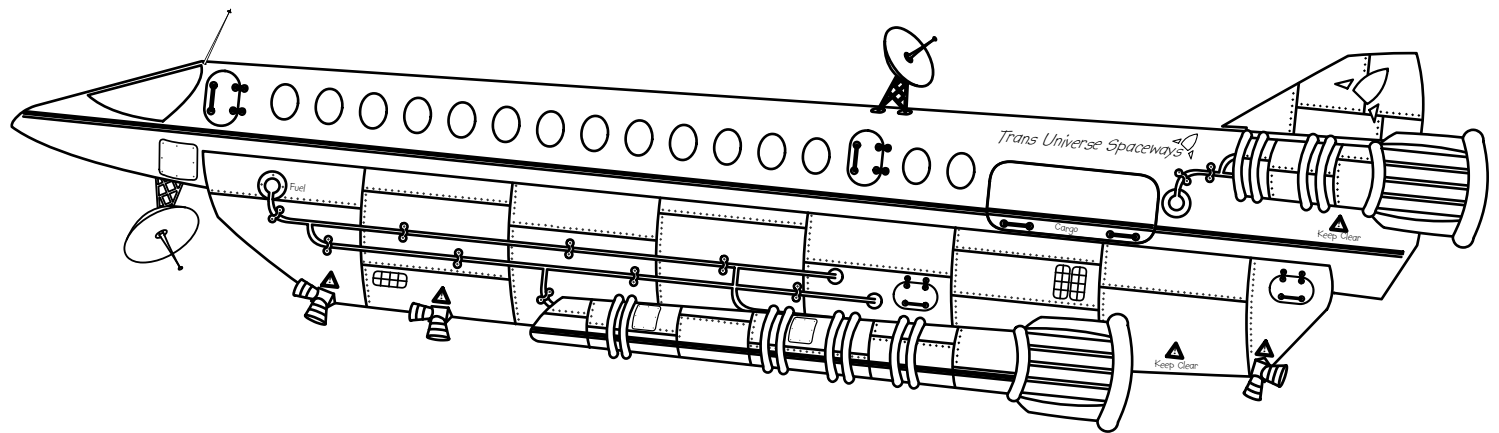


are

her

said

Three sets of handwriting lines, each consisting of a solid top line, a dashed middle line, and a solid bottom line, positioned below the word boxes.



Roy
Tale of a Singing Zebra

www.roythezebra.com