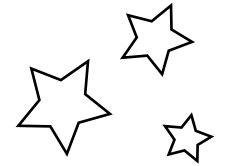


Say the tricky word, then write it on the three lines below.

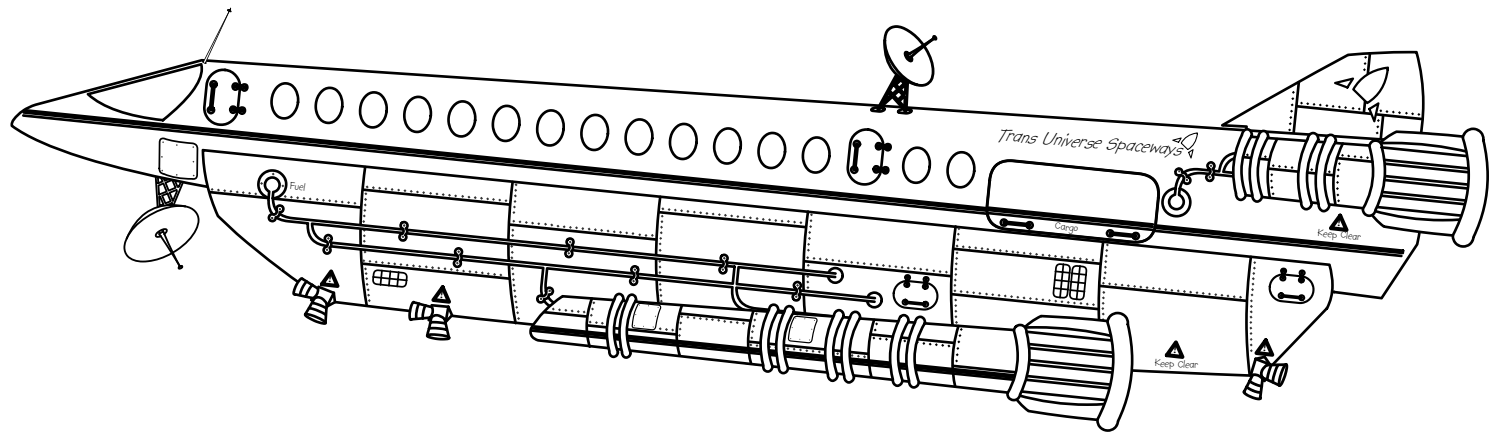


asked

could

your

Three sets of handwriting lines, each consisting of a solid top line, a dashed middle line, and a solid bottom line, for practicing writing the words 'asked', 'could', and 'your'.



Roy
Tale of a Singing Zebra

www.roythezebra.com